

Silicon PNP Power Transistors

2SA1232

DESCRIPTION

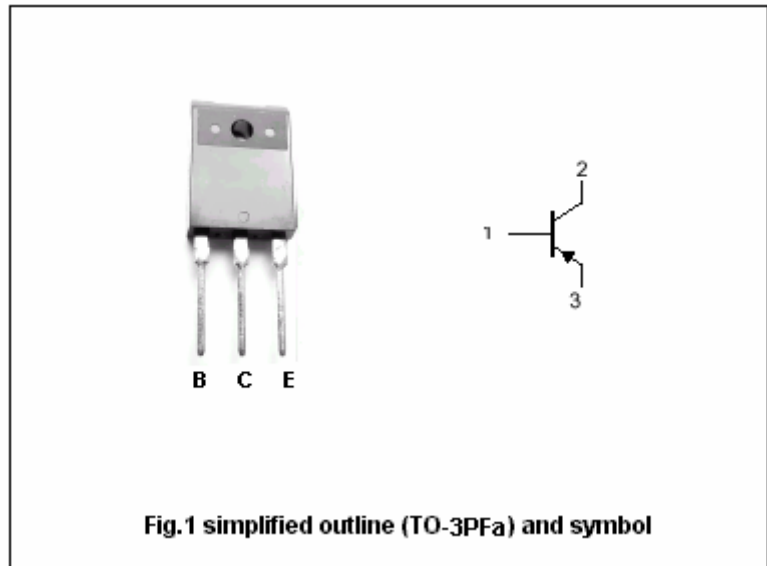
- With TO-3PFa package
- Complement to type 2SC3012

APPLICATIONS

- Audio frequency power amplifier.

PINNING

PIN	DESCRIPTION
1	Base
2	Collector;connected to mounting base
3	Emitter



Absolute maximum ratings(Ta=°C)

SYMBOL	PARAMETER	CONDITIONS	VALUE	UNIT
V _{CBO}	Collector-base voltage	Open emitter	-130	V
V _{CEO}	Collector-emitter voltage	Open base	-130	V
V _{EBO}	Emitter-base voltage	Open collector	-5	V
I _C	Collector current		-10	A
I _{CM}	Collector current-peak		-15	A
P _C	Collector power dissipation	T _C =25°C	100	W
T _j	Junction temperature		150	°C
T _{stg}	Storage temperature		-55~150	°C

Silicon PNP Power Transistors

2SA1232

CHARACTERISTICS

T_j=25°C unless otherwise specified

SYMBOL	PARAMETER	CONDITIONS	MIN	TYP.	MAX	UNIT
V _{CEsat}	Collector-emitter saturation voltage	I _C =-5A; I _B =-0.5A		-0.6	-1.5	V
V _{BEsat}	Base-emitter saturation voltage	I _C =-5A; I _B =-0.5A		-1.3	-2.0	V
I _{CBO}	Collector cut-off current	V _{CB} =-130V; I _E =0			-50	μ A
I _{EBO}	Emitter cut-off current	V _{EB} =-3V; I _C =0			-50	μ A
h _{FE-1}	DC current gain	I _C =-2A ; V _{CE} =-5V	60		320	
h _{FE-2}	DC current gain	I _C =-5A ; V _{CE} =-5V	40			
C _{ob}	Output capacitance	I _E =0 ; V _{CB} =-10V;f=1MHz		250		pF
f _T	Transition frequency	I _C =-1A ; V _{CE} =-5V		60		MHz

◆ h_{FE-1} Classifications

R	Q	P
60-120	100-200	160-320

Silicon PNP Power Transistors

2SA1232

PACKAGE OUTLINE

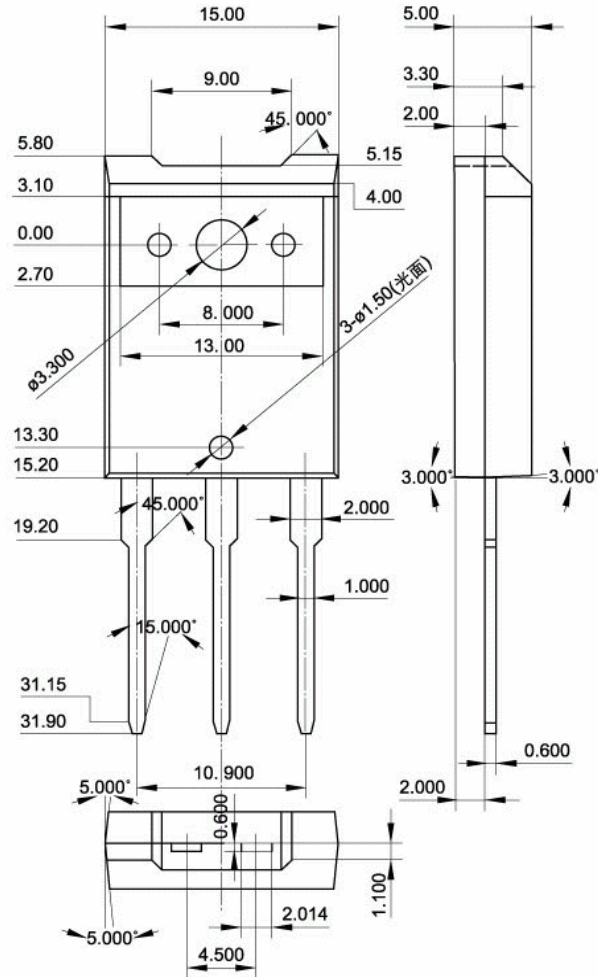


Fig.2 Outline dimensions (unindicated tolerance: $\pm 0.30\text{mm}$)