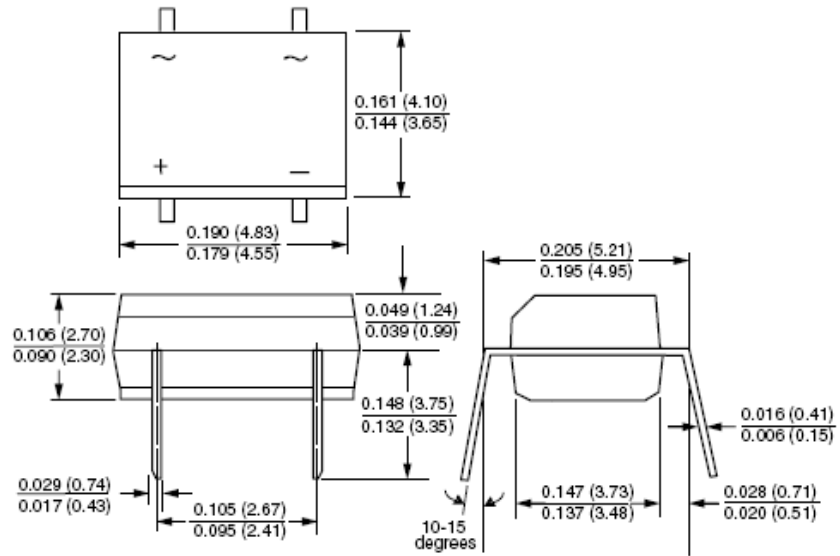




Dimensions in inch (mm)

Features

- Glass Passivated Die Construction
- Low Forward Voltage Drop
- High Current Capability
- High Surge Current Capability
- Plastic Material – UL Flammability 94V-0
- RoHS Compliant



MBM

<b>Case:</b>	MBM, molded plastic
<b>Terminals:</b>	Plated leads solderable per MIL-STD-202, method 208
<b>Polarity:</b>	As marked on case
<b>Mounting Position:</b>	Any
<b>Weight:</b>	0.22 grams

Maximum Ratings And Electrical Characteristics ( $T_{amb}=25^{\circ}C$ )

Symbol	Description	MB1M	MB2M	MB4M	MB6M	MB8M	MB10M	Unit	Conditions
<b>VRRM</b>	Max. Repetitive Peak Reverse Voltage	100	200	400	600	800	1000	V	
<b>VRMS</b>	Max. RMS Voltage	70	140	280	420	560	700	V	
<b>VDC</b>	Max. DC Blocking Voltage	100	200	400	600	800	1000	V	
<b>IF(AV)</b>	Average Rectified Output Current	0.5						A	$T_A=40^{\circ}C$ , Note 1
		0.8						A	$T_A=40^{\circ}C$ , Note 2
<b>IFSM</b>	Non-Repetitive Peak Forward Surge Current	30						A	8.3ms single half sine-wave superimposed on rated load (JEDEC Method)
<b>VF</b>	Forward Voltage per leg	1.0						V	$I_F=0.5A$



Symbol	Description	MB1M	MB2M	MB4M	MB6M	MB8M	MB10M	Unit	Conditions
$I_R$	Max. Reverse DC Current At Rated DC Blocking Voltage per leg	5.0						$\mu A$	$T_A=25^\circ C$
		500						$\mu A$	$T_A=125^\circ C$
$I_t^2$	Rating for Fusing (t<8.3ms)	3.73						$A^2s$	
$C_J$	Typical junction capacitance per leg	25						$pF$	$V_R=4V, f=1MHz$
$R_{thJA}$	Typical Thermal Resistance per leg	85						$^\circ C / W$	Note 1
$R_{thJL}$		20							
$T_J, T_{STG}$	Operating Junction and Storage Temperature Range	-55 to +150						$^\circ C$	

**Note:** 1. Mounted on glass epoxy PC board with 1.3mm<sup>2</sup> solder pad.  
2. Mounted on aluminum substrate PC board with 1.3mm<sup>2</sup> solder pad.

## Typical Characteristics Curves

Fig.1- Output Current Derating Curve

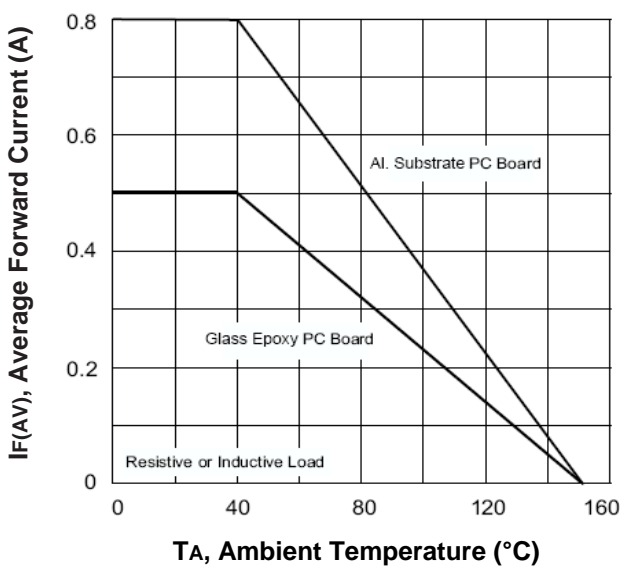


Fig.2- Max. Non-repetitive Peak Forward Surge Current Per Leg

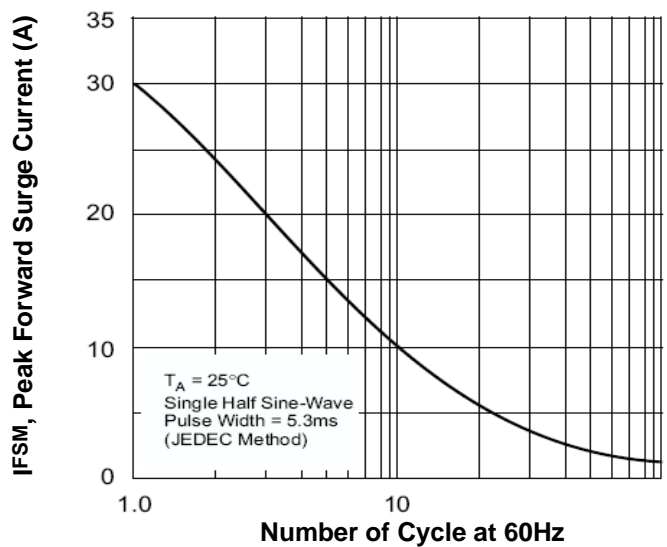




Fig.3-Typical Instantaneous Forward Characteristic Per Leg

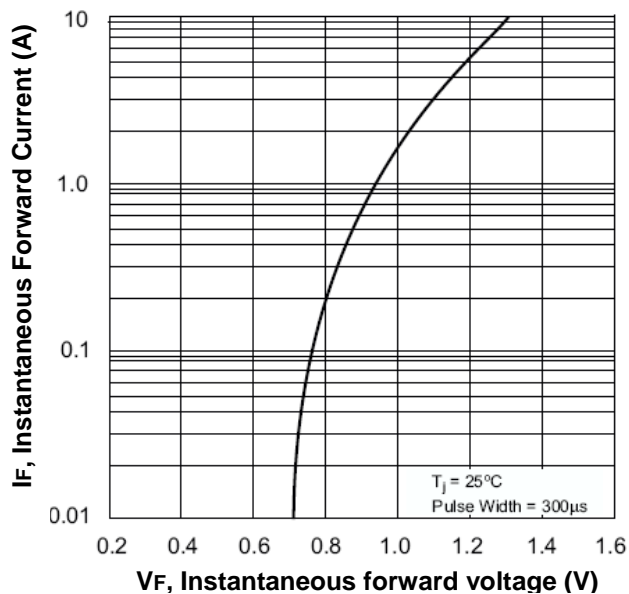


Fig.4-Typical Reverse Characteristics Per Leg

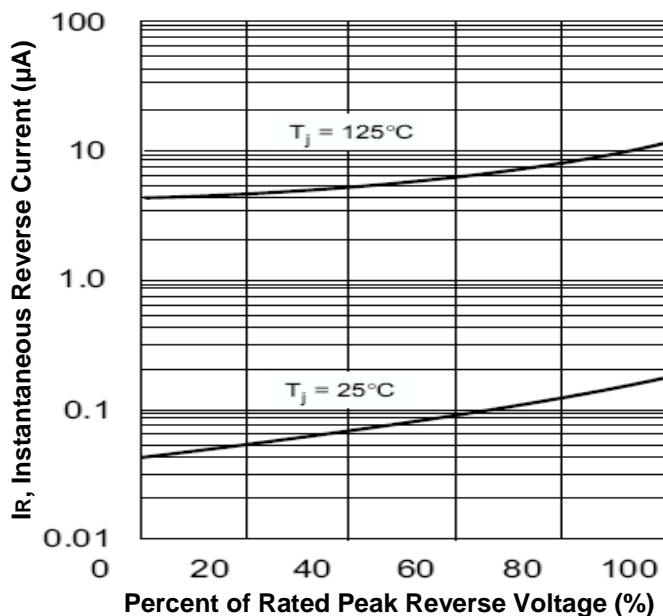


Fig.5-Typical Junction Capacitance

