



## 4N60

### Power MOSFET

## 4 Amps, 600 Volts N-CHANNEL POWER MOSFET

### DESCRIPTION

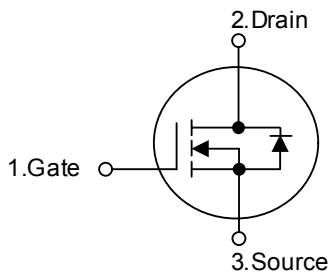
The UTC 4N60 is a high voltage MOSFET and is designed to have better characteristics, such as fast switching time, low gate charge, low on-state resistance and have a high rugged avalanche characteristics. This power MOSFET is usually used at high speed switching applications in power supplies, PWM motor controls, high efficient DC to DC converters and bridge circuits.

### FEATURES

- \*  $R_{DS(ON)} = 2.5\Omega @ V_{GS} = 10V$
- \* Ultra low gate charge ( typical 15 nC )
- \* Low reverse transfer Capacitance (  $C_{RSS} =$  typical 8.0 pF )
- \* Fast switching capability
- \* Avalanche energy Specified
- \* Improved dv/dt capability, high ruggedness

### SYMBOL

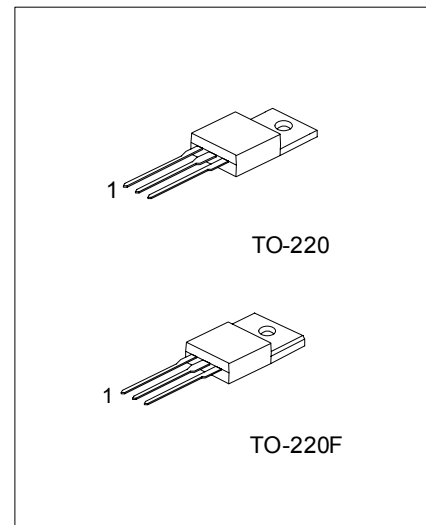
[www.DataSheet4U.com](http://www.DataSheet4U.com)



### ORDERING INFORMATION

Order Number		Package	Pin Assignment			Packing
Normal	Lead Free Plating		1	2	3	
4N60-TA3-T	4N60L-TA3-T	TO-220	G	D	S	Tube
4N60-TF3-T	4N60L-TF3-T	TO-220F	G	D	S	Tube

<p>4N60L-TA3-T</p> <p>(1)Packing Type (2)Package Type (3)Lead Plating</p>	<p>(1) T: Tube, R: Tape Reel (2) TA3: TO-220, TF3: TO-220F (3) L: Lead Free Plating Blank: Pb/Sn</p>
---	--



\*Pb-free plating product number: 4N60L

■ ABSOLUTE MAXIMUM RATINGS ( $T_C = 25$  , unless otherwise specified)

PARAMETER	SYMBOL	RATINGS	UNIT
Drain-Source Voltage	$V_{DSS}$	600	V
Gate-Source Voltage	$V_{GSS}$	$\pm 30$	V
Avalanche Current - (Note 1)	$I_{AR}$	4.4	A
Continuous Drain Current	$I_D$	$T_C = 25^\circ\text{C}$	4.0
		$T_C = 100^\circ\text{C}$	2.8
Pulsed Drain Current, $T_P$ Limited by $T_{JMAX}$ - (Note 1)	$I_{DM}$	16	A
Avalanche Energy, Single Pulsed (Note 2)	$E_{AS}$	260	mJ
Avalanche Energy, Repetitive, Limited by $T_{JMAX}$	$E_{AR}$	10.6	mJ
Peak Diode Recovery dv/dt (Note 3)	dv/dt	4.5	V/ns
Power Dissipation ( $T_C = 25^\circ\text{C}$ )	$P_D$	106	W
Junction Temperature	$T_J$	+150	
Storage Temperature	$T_{STG}$	-55 ~ +150	

Note Absolute maximum ratings are those values beyond which the device could be permanently damaged. Absolute maximum ratings are stress ratings only and functional device operation is not implied.

■ THERMAL DATA

PARAMETER	SYMBOL	MIN	TYP	MAX	UNIT
Junction-to-Ambient	$\theta_{JA}$			62.5	$^\circ\text{C/W}$
Junction-to-Case	$\theta_{JC}$			3	$^\circ\text{C/W}$
Case-to-Sink	$\theta_{CS}$		0.5		$^\circ\text{C/W}$

■ ELECTRICAL CHARACTERISTICS ( $T_C = 25$  , unless otherwise specified)

PARAMETER	SYMBOL	TEST CONDITIONS	MIN	TYP	MAX	UNIT
<b>Off Characteristics</b>						
Drain-Source Breakdown Voltage	$BV_{DSS}$	$V_{GS} = 0\text{ V}, I_D = 250\ \mu\text{A}$	600			V
Drain-Source Leakage Current	$I_{DSS}$	$V_{DS} = 600\text{ V}, V_{GS} = 0\text{ V}$			10	$\mu\text{A}$
		$V_{DS} = 480\text{ V}, T_C = 125^\circ\text{C}$			100	$\mu\text{A}$
Gate-Source Leakage Current	Forward	$I_{GSS}$			100	nA
	Reverse					
Breakdown Voltage Temperature Coefficient	$BV_{DSS}/T_J$	$I_D = 250\ \mu\text{A}$ , Referenced to $25^\circ\text{C}$		0.6		V/
<b>On Characteristics</b>						
Gate Threshold Voltage	$V_{GS(TH)}$	$V_{DS} = V_{GS}, I_D = 250\ \mu\text{A}$	2.0		4.0	V
Drain-Source On-State Resistance	$R_{DS(ON)}$	$V_{GS} = 10\text{ V}, I_D = 2.2\text{ A}$			2.5	$\Omega$
Forward Transconductance	$g_{FS}$	$V_{DS} = 50\text{ V}, I_D = 2.2\text{ A}$ (Note 4)		4.0		S
<b>Dynamic Characteristics</b>						
Input Capacitance	$C_{ISS}$	$V_{DS} = 25\text{ V}, V_{GS} = 0\text{ V}, f = 1\text{ MHz}$		520	670	pF
Output Capacitance	$C_{OSS}$			70	90	pF
Reverse Transfer Capacitance	$C_{RSS}$			8	11	pF
<b>Switching Characteristics</b>						
Turn-On Delay Time	$t_{D(ON)}$	$V_{DD} = 300\text{ V}, I_D = 4.0\text{ A}, R_G = 25\ \Omega$ (Note 4, 5)		13	35	ns
Turn-On Rise Time	$t_R$			45	100	ns
Turn-Off Delay Time	$t_{D(OFF)}$			25	60	ns
Turn-Off Fall Time	$t_F$			35	80	ns
Total Gate Charge	$Q_G$	$V_{DS} = 480\text{ V}, I_D = 4.0\text{ A}, V_{GS} = 10\text{ V}$ (Note 4, 5)		15	20	nC
Gate-Source Charge	$Q_{GS}$			3.4		nC
Gate-Drain Charge	$Q_{DD}$			7.1		nC

■ ELECTRICAL CHARACTERISTICS(Cont.)

PARAMETER	SYMBOL	TEST CONDITIONS	MIN	TYP	MAX	UNIT
<b>Source- Drain Diode Ratings and Characteristics</b>						
Drain-Source Diode Forward Voltage	$V_{SD}$	$V_{GS} = 0\text{ V}, I_S = 4.4\text{ A}$			1.4	V
Maximum Continuous Drain-Source Diode Forward Current	$I_S$				4.4	A
Maximum Pulsed Drain-Source Diode Forward Current	$I_{SM}$				17.6	A
Reverse Recovery Time	$t_{RR}$	$V_{GS} = 0\text{ V}, I_S = 4.4\text{ A},$		250		ns
Reverse Recovery Charge	$Q_{RR}$	$di_F/dt = 100\text{ A}/\mu\text{s}$ (Note 4)		1.5		$\mu\text{C}$

- Notes:
1. Repetitive Rating : Pulse width limited by  $T_J$
  2.  $L = 25\text{mH}, I_{AS} = 4.4\text{A}, V_{DD} = 50\text{V}, R_G = 25\ \Omega$ , Starting  $T_J = 25^\circ\text{C}$
  3.  $I_{SD} \leq 4.4\text{A}, di/dt \leq 200\text{A}/\mu\text{s}, V_{DD} \leq BV_{DSS}$ , Starting  $T_J = 25^\circ\text{C}$
  4. Pulse Test: Pulse width  $\leq 300\mu\text{s}$ , Duty cycle  $\leq 2\%$
  5. Essentially independent of operating temperature

■ TEST CIRCUITS AND WAVEFORMS

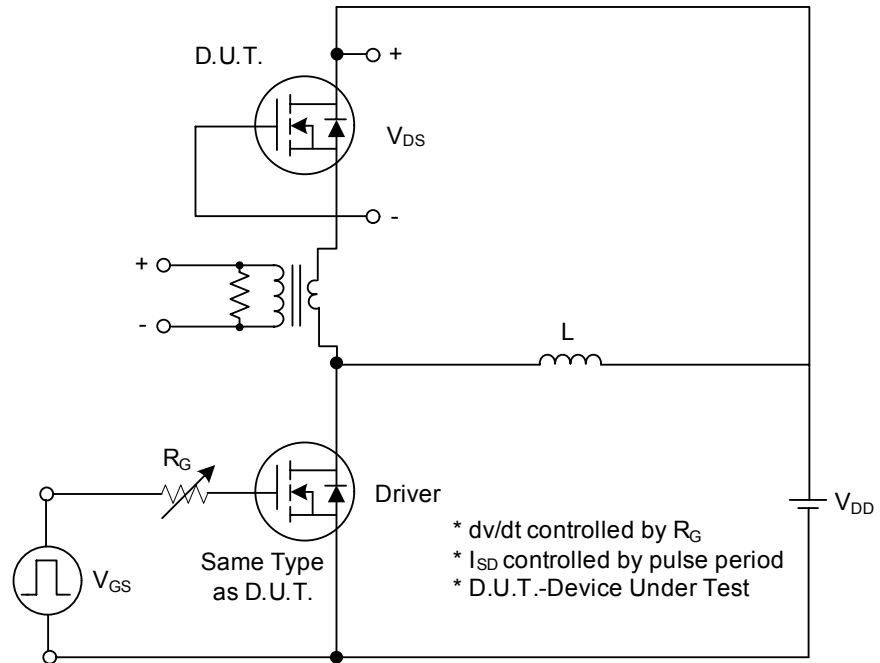


Fig. 1A Peak Diode Recovery dv/dt Test Circuit

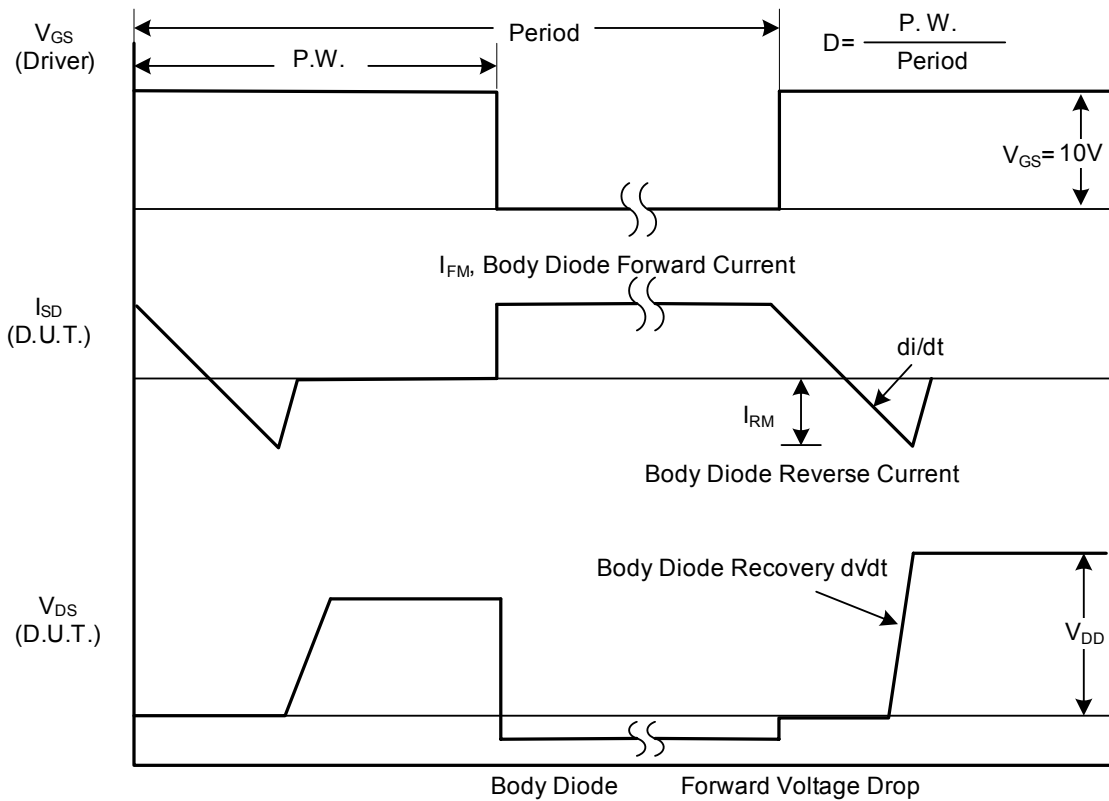


Fig. 1B Peak Diode Recovery dv/dt Waveforms

■ TEST CIRCUITS AND WAVEFORMS (Cont.)

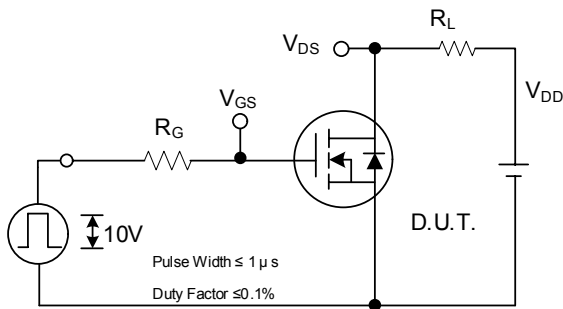


Fig. 2A Switching Test Circuit

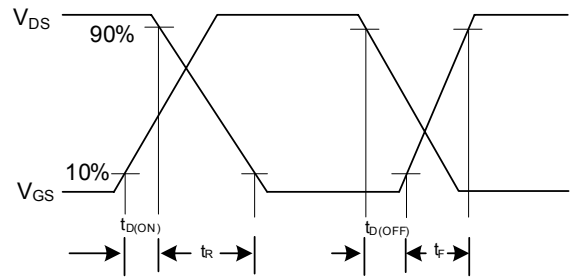


Fig. 2B Switching Waveforms

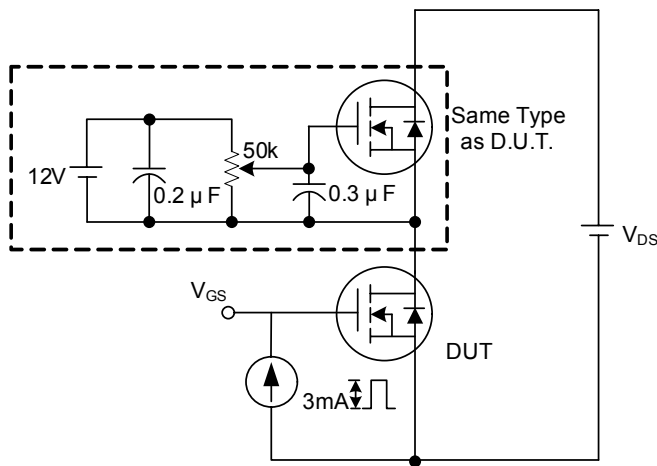


Fig. 3A Gate Charge Test Circuit

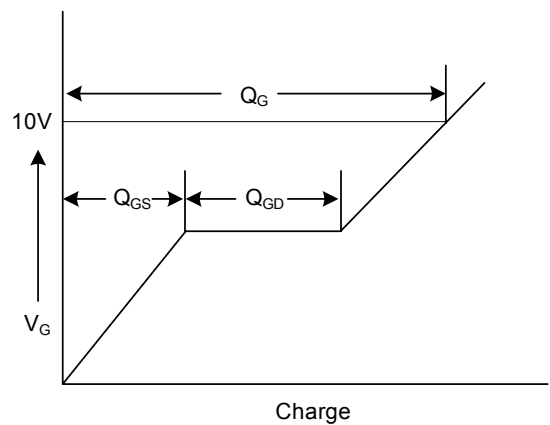


Fig. 3B Gate Charge Waveform

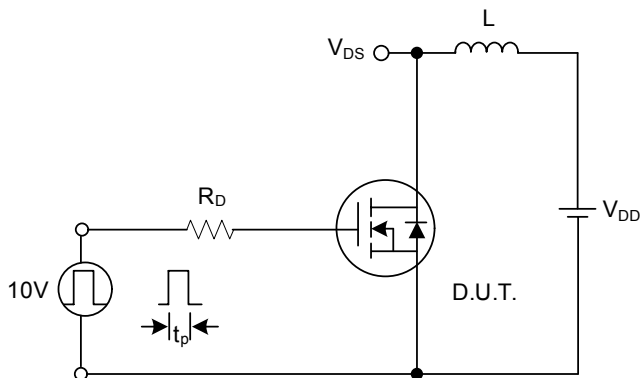


Fig. 4A Unclamped Inductive Switching Test Circuit

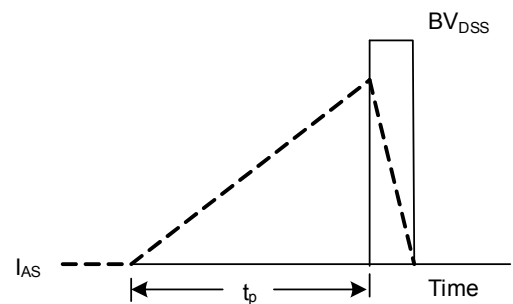
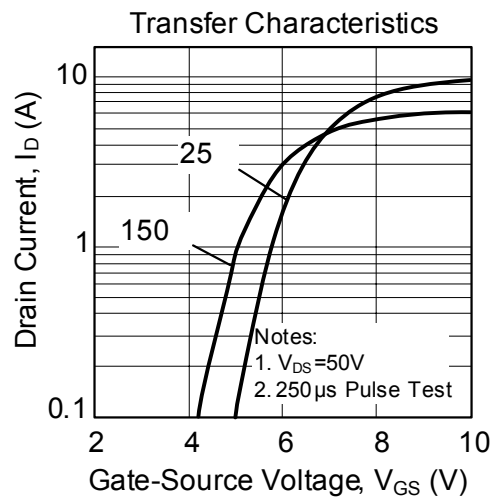
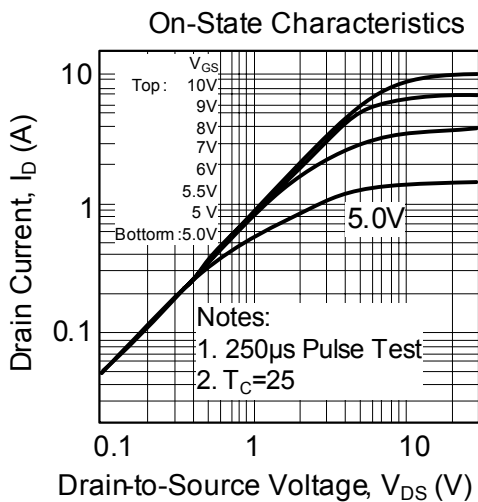
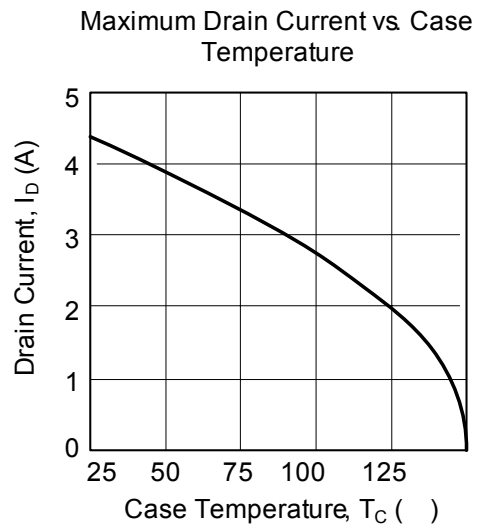
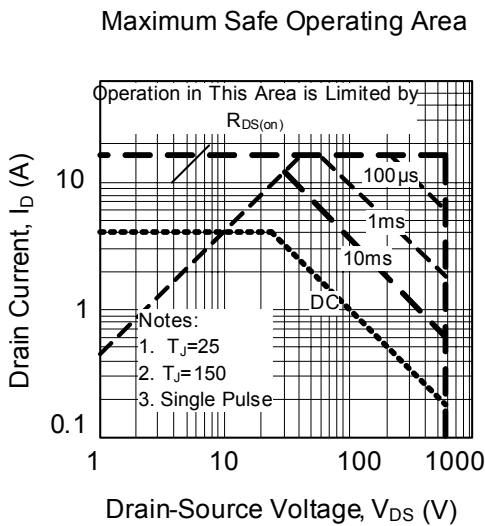
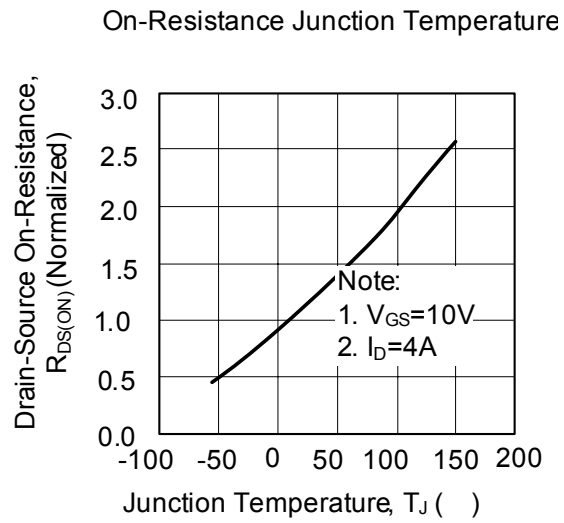
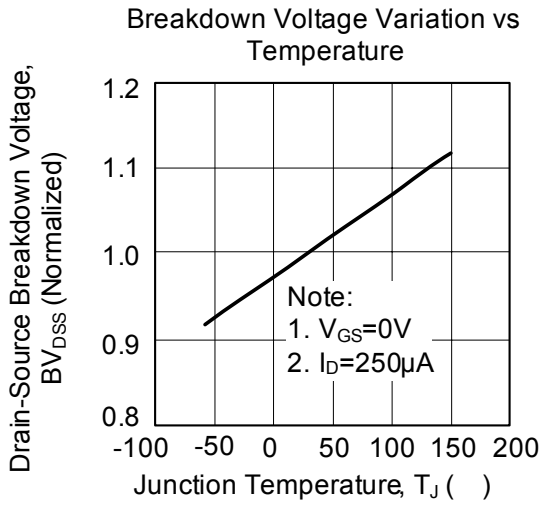


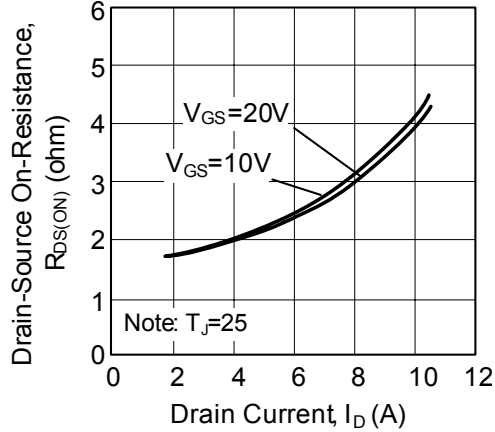
Fig. 4B Unclamped Inductive Switching Waveforms

## TYPICAL CHARACTERISTICS

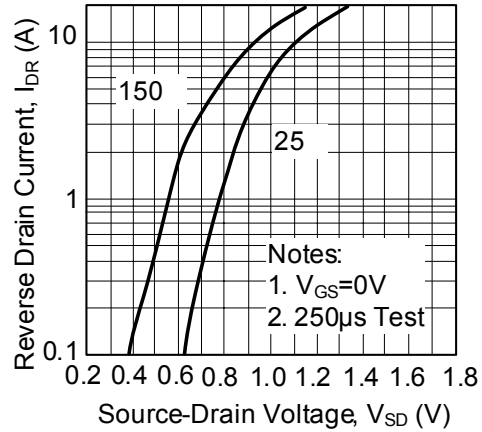


## ■ TYPICAL CHARACTERISTICS(Cont.)

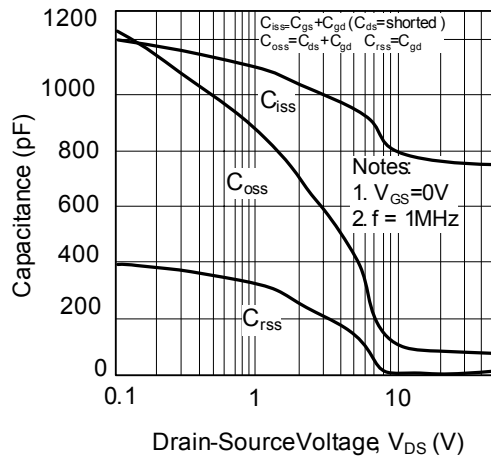
On-Resistance Variation vs Drain Current and Gate Voltage



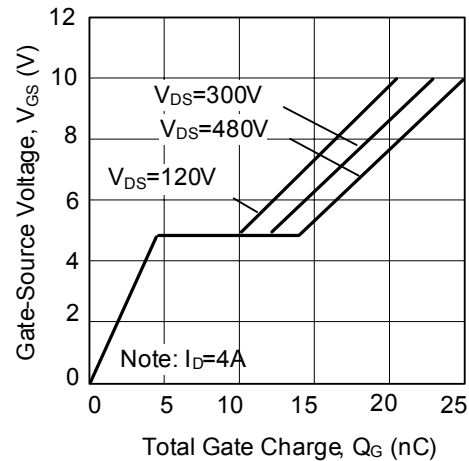
On State Current vs. Allowable Case Temperature



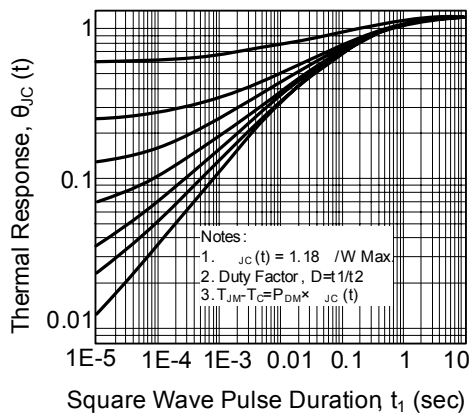
Capacitance Characteristics (Non-Repetitive)



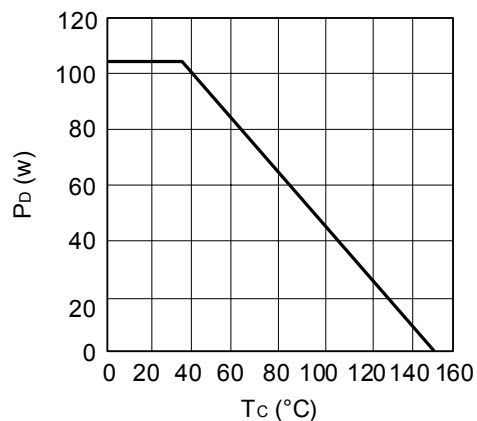
Gate Charge Characteristics



Transient Thermal Response Curve



Power Dissipation



UTC assumes no responsibility for equipment failures that result from using products at values that exceed, even momentarily, rated values (such as maximum ratings, operating condition ranges, or other parameters) listed in products specifications of any and all UTC products described or contained herein. UTC products are not designed for use in life support appliances, devices or systems where malfunction of these products can be reasonably expected to result in personal injury. Reproduction in whole or in part is prohibited without the prior written consent of the copyright owner. The information presented in this document does not form part of any quotation or contract, is believed to be accurate and reliable and may be changed without notice.