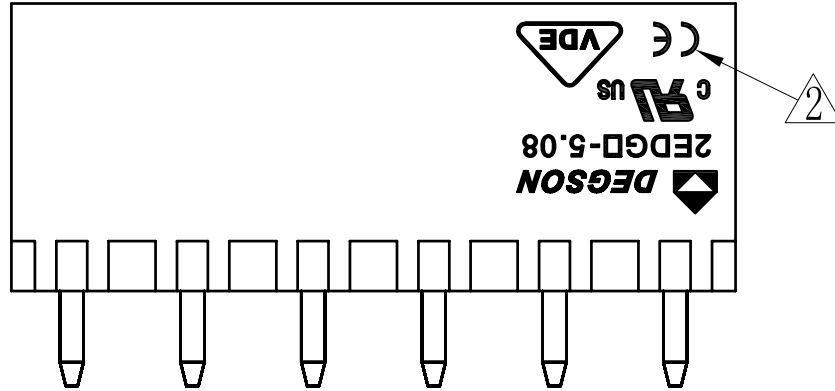
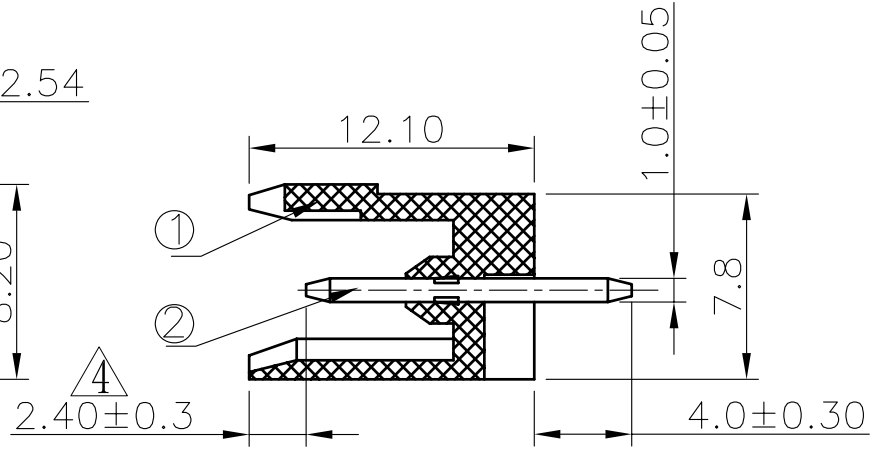
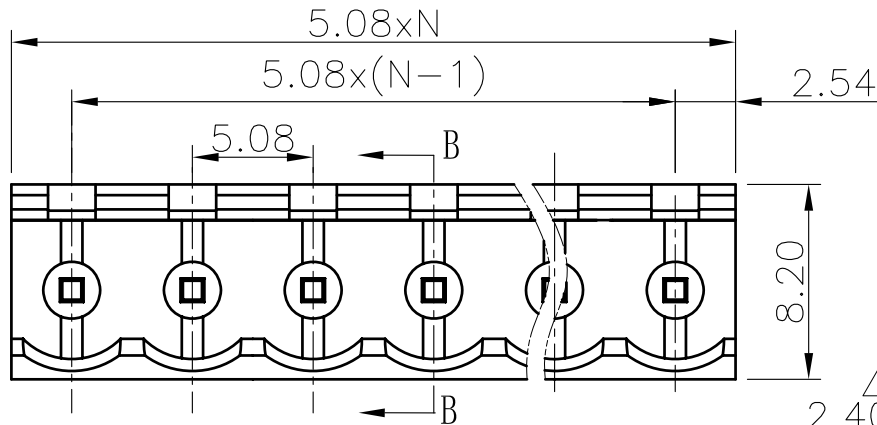


REVISION RECORD				
REV	ECO	DESCRIPTION	DRFT	DATE
1		Drawing emend	CSX	04/04/06
2		增加VDE、CE刻字	YeJ	02/28/08
3		增加自动化方针	WLM	09/23/08
4	10-0329	增加标注尺寸	COCO	10/07/10



Notes:

1. Pitch:5.08mm, poles:2-24p
2. Rated voltage/current:UL 300V/15A
VDE 320V/20A
3. Operation temperatures:-40° C~+105° C
4. Withstanding voltage: AC2000V/1Min
5. Insulation resistance:5000MΩ/DC1000V
6. Undimensioned Tolerances:

Pitch range in mm			Nominal dimension range in mm					
	over 6	over 10	over 30	over 60	over 100	over 150		
to 6	to 10	to 24	to 30	to 60	to 100	to 150	□	
±0.10	±0.15	±0.25	±0.2	±0.3	±0.5	±0.7	±1.0	

2	2EDGV-Pin header	1007B00010 (H)	XX	Brass	Automatic assembly
2	2EDGV-Pin header	1007B00030 (H)	XX	Brass	Manual assembly
1	2EDGV-5.08-Housing	1008A0YXXA (H)	1	PA66	UL94V-0
ITEM	NAME OF PART	NO. OF PART	Q"TY	MATERIAL	NOTES
TOLERANCES EXCEPT AS NOTED		DFTO DZJ	DATE 09/21/05*	宁波高正电子有限公司 DEGSON ELECTRONICS CO., LTD NAME 2EDGV-5.08-XXP-1Y-00A(H)	
MM (INCH)		CHKD	DATE		
.0 ±		MFO	DATE		
.00 ±		APPVL	DATE		
.000 ±		MATERIAL :		DRAWING NO. 2EDGV-5.08-E06	
ANGLES ± 1'		G.E. :		/PART NO.	
THIRD ANGLE PROJECTION		FINISH :		SIZE A3	
		SCALE : 1:1		REV T4	
DO NOT SCALE DRAWING				SHEET 1 OF 1	