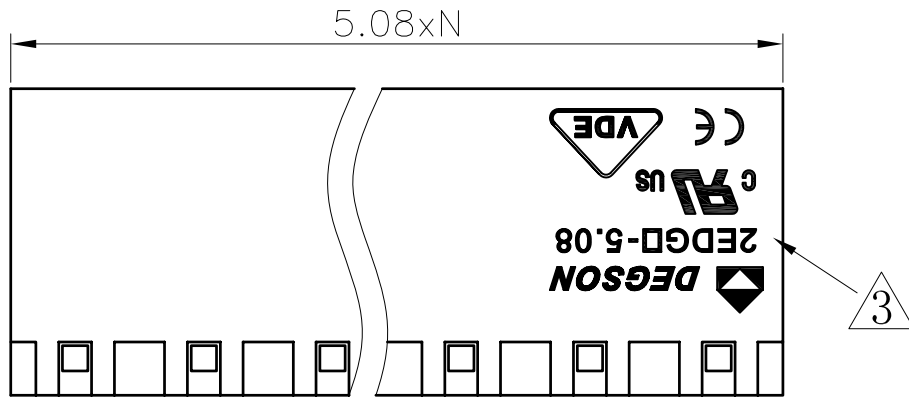
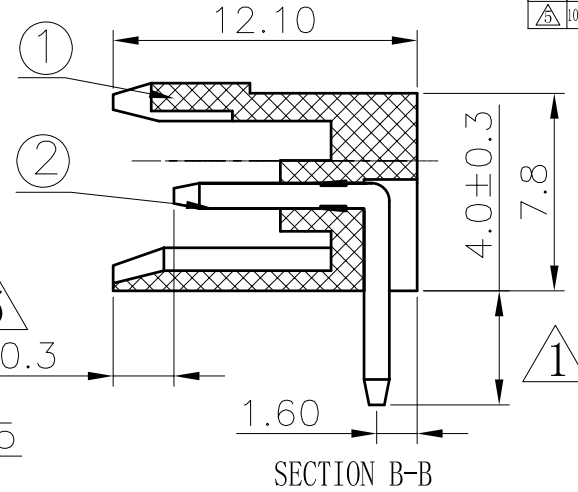
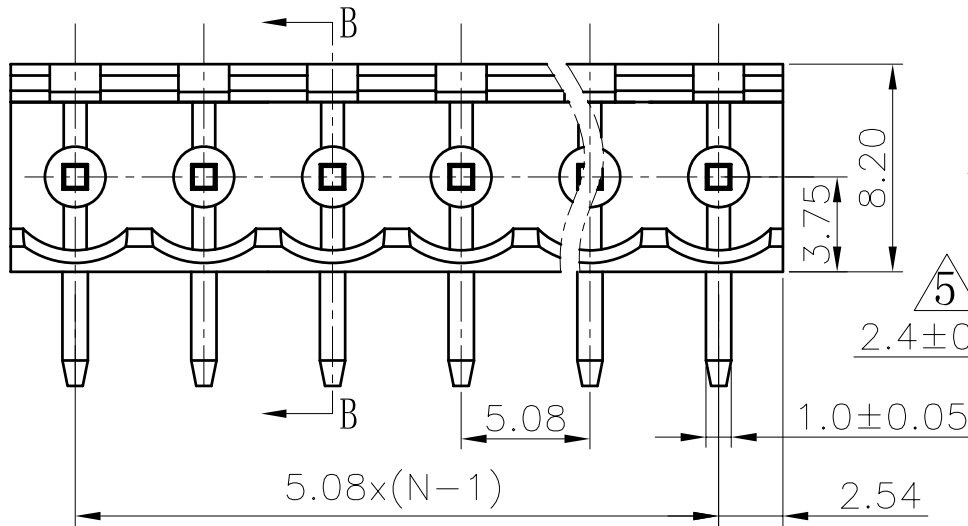


REVISION RECORD				
REV	ECO	DESCRIPTION	DRFT	DATE
△		4.5±0.1变更到4.0±0.3	DZJ	06/14/05
△		Drawing emend	CSX	04/17/06
△		增加刻字	YeJ	03/01/08
△		增加自动化方针	WLM	09/23/08
△	10-0329	增加标注尺寸	COCO	09/30/10



Notes:

- Pitch: 5.08mm, poles: 2-24p
- Rated voltage/current: UL 300V/15A
VDE 320V/20A
- Operation temperatures: -40°C ~ +105°C
- Withstanding voltage: AC2000V/1Min
- Insulation resistance: 5000MΩ/DC1000V
- Undimensioned Tolerances:

Pitch range in mm		Nominal dimension range in mm						
to	over	to	over	to	over	to		
6	6	10	30	60	100	150	∩	
10	10	24	30	60	100	150	∇	
±0.10	±0.15	±0.25	±0.2	±0.3	±0.5	±0.7	±1.0	0.05/10

2	2EDGR-Pin header	△ 1008B00120 (H)	XX	Brass	Automatic assembly
2	2EDGR-Pin header	1008B00040 (H)	XX	Brass	Manual assembly
1	2EDGR-5.08-Housing	1008A0YXXA (H)	1	PA66	UL94V-0
ITEM	NAME OF PART	NO. OF PART	Q'TY	MATERIAL	NOTES

DETACHED LISTS	MM (NCH)	DFTO Haoyh	DATE 07/20/04	宁波高正电子有限公司 DEGSON ELECTRONICS CO., LTD		
	TOLERANCES EXCEPT AS NOTED	CHKD	DATE			
		MFO	DATE			
		APPVL	DATE			
	MM			NAME 2EDGR-5.08-XXP-1Y-00A (H)		
	.0 ±	±				
	.00 ±	±		DRAWING NO. 2EDGR-5.08-E02	SIZE A3	REV T5
	.000 ±	±		/PART NO.	09/30/10	
	ANGLES ± 1'	CHKD:		DO NOT SCALE DRAWING	SHEET 1	OF 1
	THIRD ANGLE PROJECTION	FINISH:				
		SCALE: 1:1				

由 Autodesk 教育版产品制作

由 Autodesk 教育版产品制作