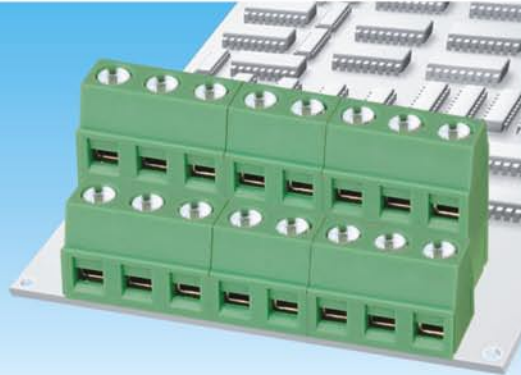




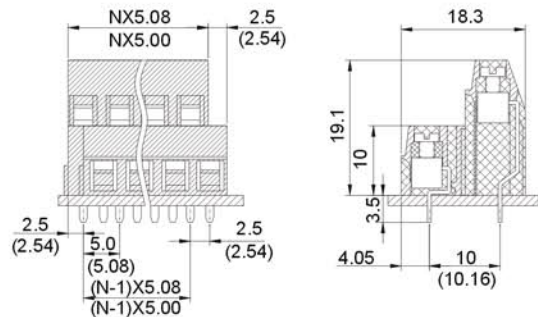
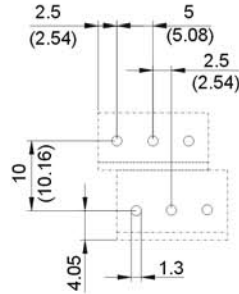
DEGSON ELECTRONICS CO., LTD.

Product Specification

DEVELOPING



DG127A-5.0
DG127A-5.08



Material

Screws :	M2.5 steel Zinc plated
Pin header:	Brass, Tin plated
Housing :	PA66, UL94V-0

Electrical

Rated voltage :	300V
Rated current :	12A
Contact resistance :	20mΩ
Insulation resistance :	5000MΩ /DC1000V
Withstanding voltage:	AC2000V/1Min
Wire range :	26-14AWG 1.5mm ²

Mechanical

Temp. Range :	-40°C~+105°C
Torque :	0.4Nm(3.6lb.in)
Strip length :	5-6mm

HOW TO ORDER:



Series No.

No of Pole

Color

1 Gray	4 Green	7 Trans- parent
2 Blue	5 Orange	8 Yellow
3 Black	6 Red	9 White



DEGSON ELECTRONICS CO., LTD.

NAME

DG127A-5.0
DG127A-5.08