

CL21 Metallized Polyester Film Capacitor

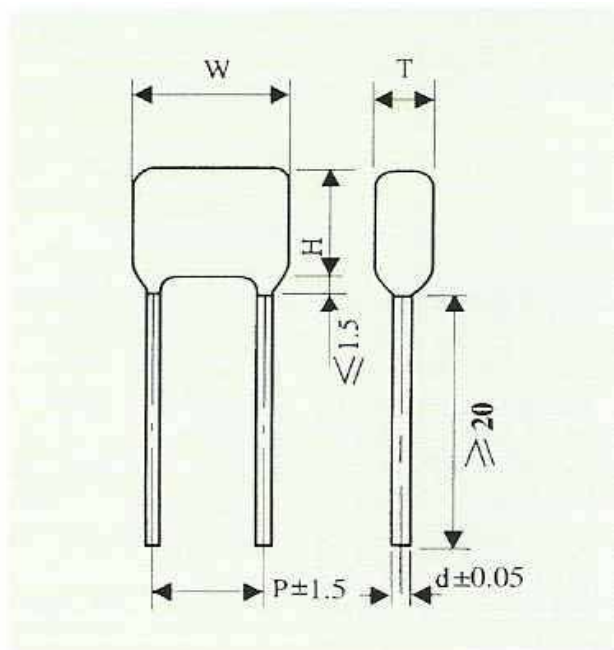
Features:

- * Metallized polyester film, epoxy resin coating
- * Large C - Values in small dimensions
- * Excellent self - healing property and high reliability



Applications:

- * Blocking, bypass and coupling for DC and signals of VHF range
- * Widely used in filter, noise suppression and low pulse circuits



Dimension:

| V | Cap. uF | Maxium Dimension (mm) | | | | | V | Cap. uF | Maxium Dimension (mm) | | | | |
|------|---------|-----------------------|------|------|------|-----|-------|---------|-----------------------|------|------|------|-----|
| | | W | H | T | P | d | | | W | H | T | P | d |
| 100V | 0.1 | 12.5 | 12 | 7 | 7 | 0.6 | 400V | 0.01 | 12.5 | 11.5 | 7 | 7.5 | 0.6 |
| | 0.15 | 12.5 | 12.5 | 7.5 | 7 | 0.6 | | 0.015 | 12.5 | 12.5 | 7.5 | 7.5 | 0.6 |
| | 0.22 | 15.5 | 12.5 | 7.5 | 10 | 0.6 | | 0.022 | 15.5 | 11.5 | 7 | 10.5 | 0.6 |
| | 0.33 | 15.5 | 13 | 8 | 10 | 0.6 | | 0.033 | 15.5 | 12.5 | 8 | 10.5 | 0.6 |
| | 0.47 | 15.5 | 14.5 | 9 | 10 | 0.6 | | 0.047 | 15.5 | 12.5 | 8 | 10.5 | 0.6 |
| | 0.68 | 20.5 | 14.5 | 8.5 | 14.5 | 0.6 | | 0.068 | 15.5 | 12.5 | 8.5 | 10.5 | 0.6 |
| | 1.0 | 20.5 | 15.5 | 10 | 14.5 | 0.8 | | 0.1 | 18 | 13 | 9 | 12.5 | 0.6 |
| | 1.5 | 20.5 | 17.5 | 11.5 | 14.5 | 0.8 | | 0.15 | 20.5 | 14.5 | 9 | 14.5 | 0.6 |
| | 2.2 | 26 | 19.5 | 12 | 20 | 0.8 | | 0.22 | 20.5 | 16 | 10.5 | 14.5 | 0.6 |
| | 3.3 | 26 | 22.5 | 14 | 20 | 0.8 | | 0.33 | 26 | 17.5 | 10.5 | 20.5 | 0.8 |
| 250V | 4.7 | 37.5 | 23.5 | 13 | 31.5 | 0.8 | 0.47 | 26 | 19.5 | 12.5 | 20.5 | 0.8 | |
| | 6.8 | 37.5 | 27.5 | 15.5 | 31.5 | 1.0 | 0.68 | 26 | 21.5 | 14 | 20.5 | 0.8 | |
| | 10 | 37.5 | 31 | 18 | 31.5 | 1.0 | 1.0 | 37.5 | 24.5 | 13.5 | 32.5 | 0.8 | |
| | 0.047 | 12.5 | 12 | 7 | 7.5 | 0.6 | 1.5 | 37.5 | 28 | 15.5 | 32.5 | 1.0 | |
| | 0.068 | 12.5 | 12.5 | 7.5 | 7.5 | 0.6 | 2.2 | 42.5 | 28.5 | 18 | 36.5 | 1.0 | |
| | 0.1 | 15.5 | 12 | 7 | 10 | 0.6 | 3.3 | 42.5 | 32 | 20.5 | 36.5 | 1.0 | |
| | 0.15 | 15.5 | 13 | 8.5 | 10 | 0.6 | 4.7 | 42.5 | 35.5 | 24.5 | 36.5 | 1.0 | |
| | 0.22 | 20.5 | 14 | 7.5 | 14.5 | 0.6 | 0.01 | 15.5 | 11.5 | 7 | 10.5 | 0.6 | |
| | 0.33 | 20.5 | 14.5 | 8.5 | 14.5 | 0.6 | 0.015 | 15.5 | 12.5 | 7.5 | 10.5 | 0.6 | |
| | 0.47 | 20.5 | 16.5 | 10 | 14.5 | 0.8 | 0.022 | 15.5 | 11.5 | 7 | 10.5 | 0.6 | |
| 250V | 0.68 | 20.5 | 18 | 11 | 14.5 | 0.8 | 0.033 | 15.5 | 12.5 | 8 | 10.5 | 0.6 | |
| | 1.0 | 29 | 19 | 10.5 | 23 | 0.8 | 0.047 | 18 | 12.5 | 8 | 13 | 0.6 | |
| | 1.5 | 29 | 20 | 12 | 23 | 0.8 | 0.068 | 18 | 13 | 9 | 13 | 0.6 | |
| | 2.2 | 29 | 24 | 15 | 23 | 0.8 | 0.1 | 26 | 14.5 | 9 | 20.5 | 0.8 | |
| | 3.3 | 41.5 | 24 | 14 | 35.5 | 0.8 | 0.15 | 26 | 16.5 | 10 | 20.5 | 0.8 | |
| | 4.7 | 41.5 | 27 | 16 | 35.5 | 1.0 | 0.22 | 26 | 19 | 12 | 20.5 | 0.8 | |
| | 6.8 | 41.5 | 30 | 20 | 35.5 | 1.0 | 0.33 | 26 | 20.5 | 13.5 | 20.5 | 0.8 | |
| | 10 | 41.5 | 37 | 23.5 | 35.5 | 1.0 | 0.47 | 37.5 | 23.5 | 13 | 32.5 | 0.8 | |
| | | | | | | | 0.68 | 37.5 | 25.5 | 15.5 | 32.5 | 1.0 | |
| | | | | | | | 1.0 | 42.5 | 26.5 | 17 | 36.5 | 1.0 | |
| | | | | | | 1.5 | 42.5 | 29.5 | 19.5 | 36.5 | 1.0 | | |
| | | | | | | 2.2 | 42.5 | 32.5 | 22.5 | 36.5 | 1.0 | | |