

GBU25B Thru GBU25M

High Current Glass Passivated Molding Single-Phase Bridge Rectifier

Reverse Voltage 100 to 1000V Forward Current 25A

FEATURES

- Plastic Package has Underwriters Laboratory Flammability Classification 94V-0
- High current capacity with small package
- Glass passivated chip junctions
- Superior thermal conductivity
- High IFSM



1. Maximum & Thermal Characteristics Ratings at 25 °C ambient temperature unless otherwise specified.

Parameter Symbol	Symbol	GBU25B	GBU25D	GBU25G	GBU25J	GBU25K	GBU25M	Unit
Maximum repetitive voltage	VRRM	100	200	400	600	800	1000	V
Maximum RMS Voltage	VRMS	70	140	280	420	560	700	V
Maximum DC Blocking Voltage	VDC	100	200	400	600	800	1000	V
Maximum DC reverse current TA=25	IR	5						μA
at rated DC blocking voltage TA=125		500						
Maximum average forward rectified output current at Tc=100	Io	25						A
Peak forward surge current 8.3ms single half sine-wave superimposed on rated load	IFSM	350						A
Rating of fusing (t<8.3ms)	i ² t	300						A ² sec
Dielectric strength terminals to case , AC 1 minute Current 1mA	Vdia	2.5						KV
Max instantaneous forward voltage at 12.5A	VF	1.0						V
Operating junction temperature	TJ	-55~150						
Maximum thermal on P.C.B. without heat-sink	RθJA	MAX22						/W
resistance per leg on Al plate heat-sink	RθJC	MAX2.0						
Storage temperature	Tstg	-55~150						

GBU25B Thru GBU25M

2. Ratings and Characteristic Curves (TA = 25°C unless otherwise noted)

Fig. 1 Derating Curve

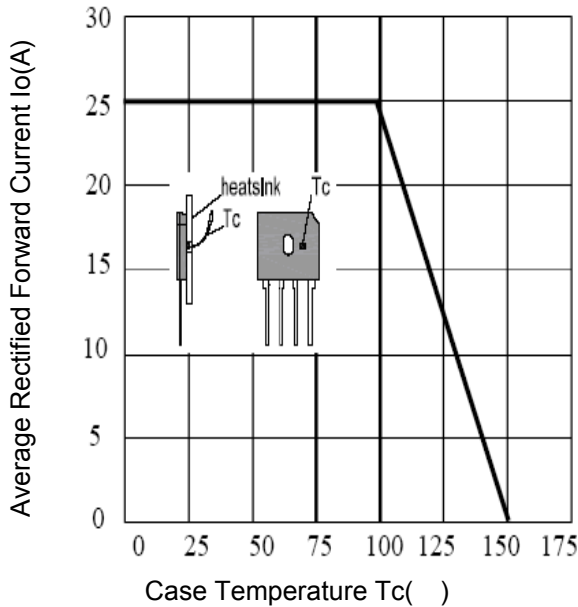


Fig.2 Typical Reverse Characteristics

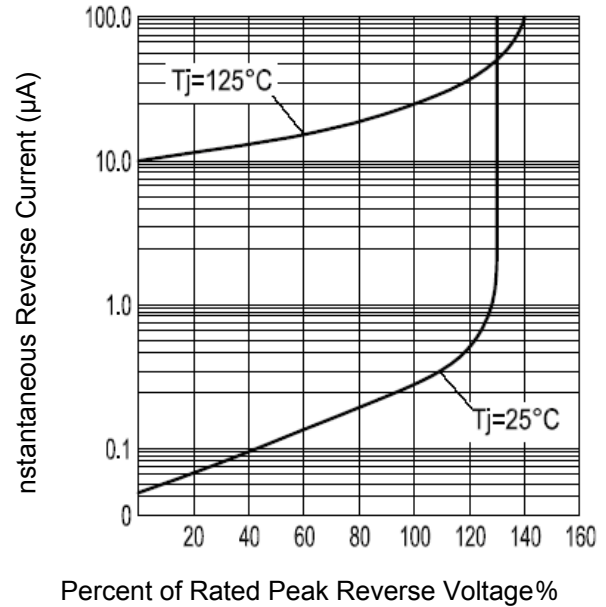


Fig.3 Forward Voltage

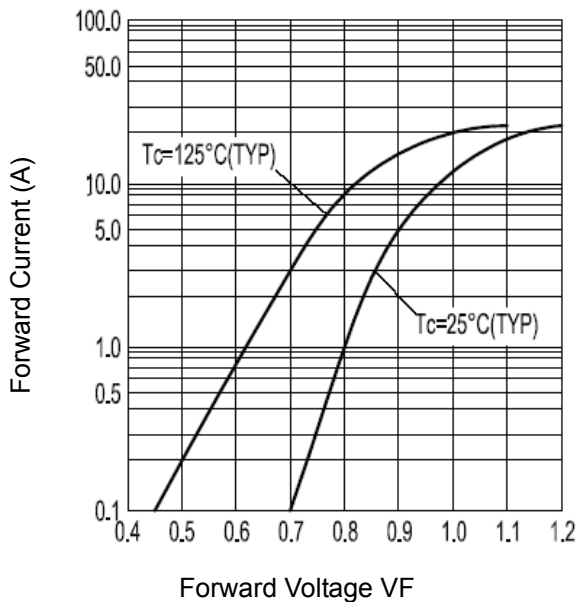
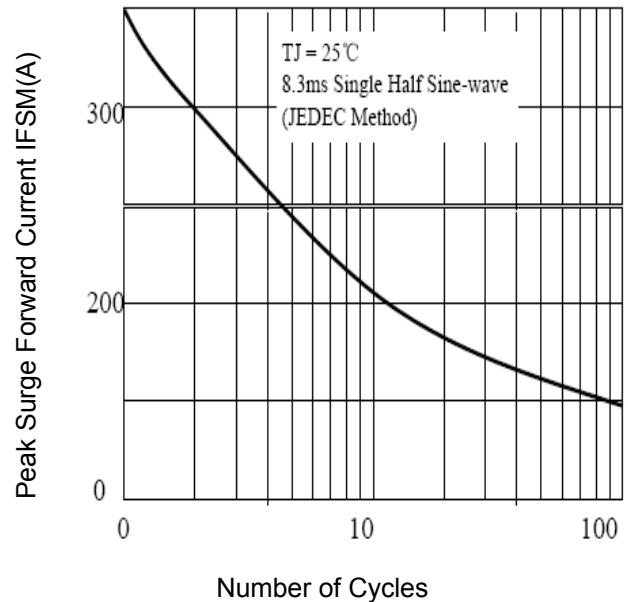
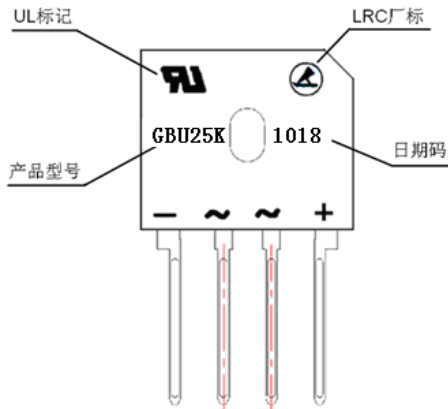


Fig.4 Peak Surge Forward Capability



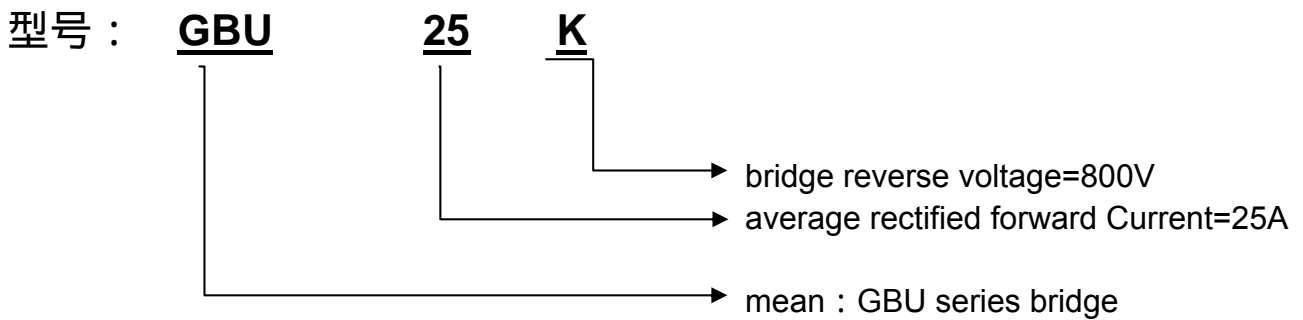
GBU25B Thru GBU25M

3. Marking Identification

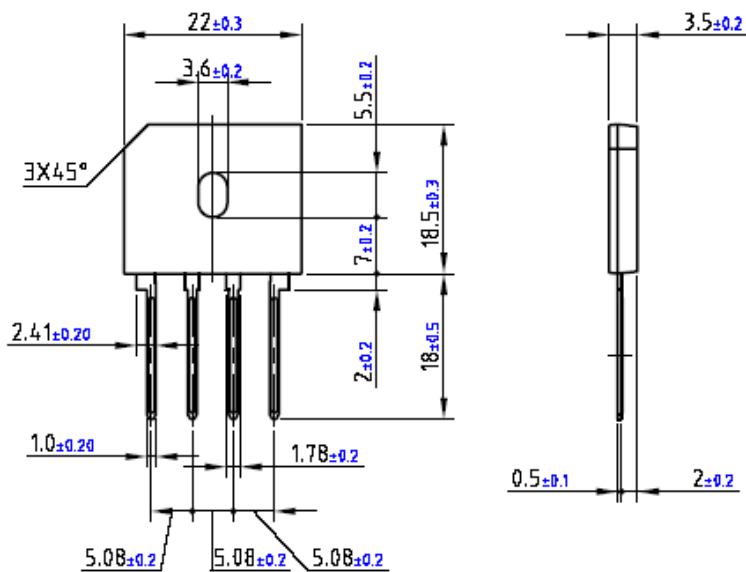


Note :

生产日期码包含4位数字，例如“1018”，前两个数字“10”表示为2010年，另外二个数字“18”是指第18周，即表示该产品为2010年18周生产。



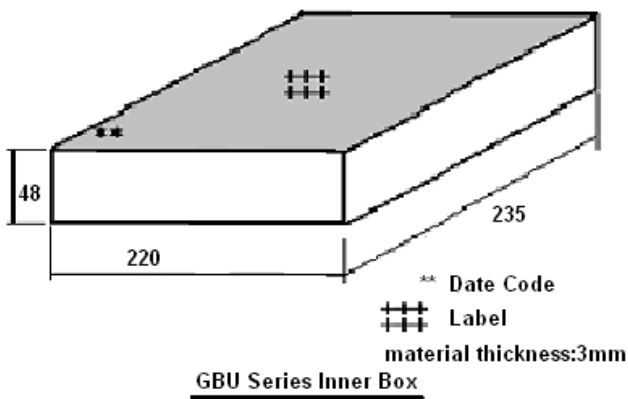
4. Dimension



GBU 系列包装规范

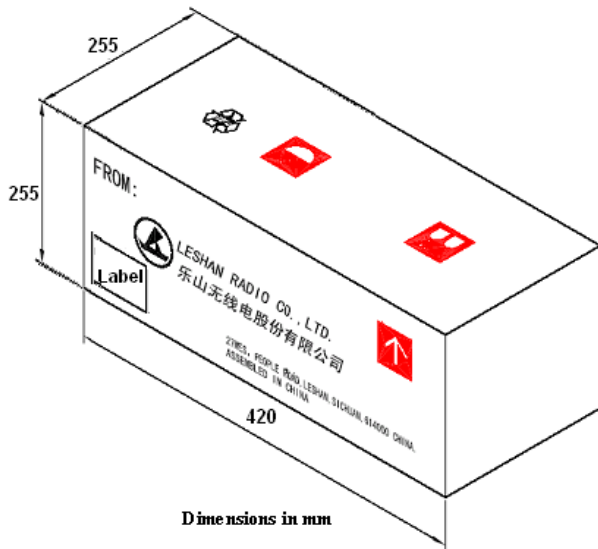
GBU Package

(Inner box&Outside Carton Package)



客户名称
产品型号
产品数量
随工单编号
日期码

.500pcs per Inner Box



.10 inner Box per Outside Carton

.500pcs x 10Inner Box total 5000pcs per Outside carton

.Label Items include Customer Name,Type,Quantity,Lot. No.,Date Code.

PACKAGE	NET WEIGHT	INNER BOX SIZE	BOX	BOX APPROX WEIGHT	CARTON SIZE	CARTON	CARTONGROSS WEIGHT	REMARK
TYPE	(g)	(mm)	(PCS)	(Kg)	(mm)	(PCS)	(Kg)	
GBU**	4.00	235*220*50	500	2.25	420*255*255	5000	23.00	

GBU25B Thru GBU25M

5. Update Record

版次	更新记录	更新作者	更新日期
1	第一版	王锋	2011-7-20