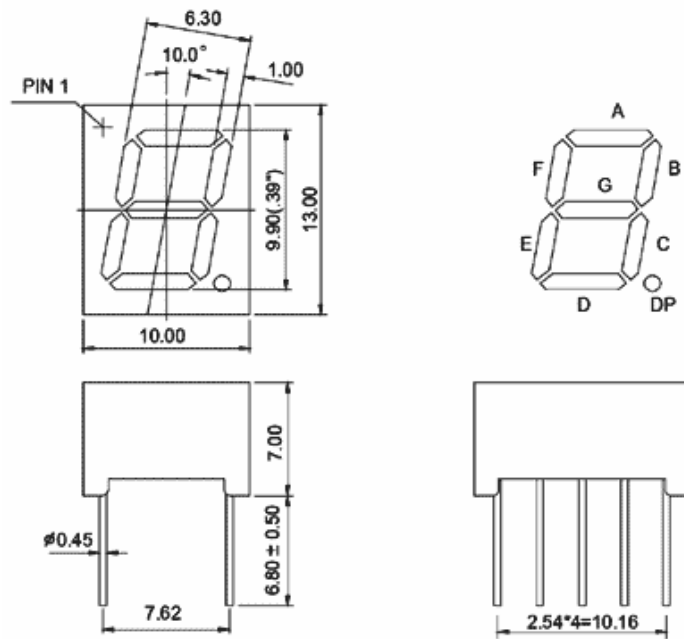


Features:

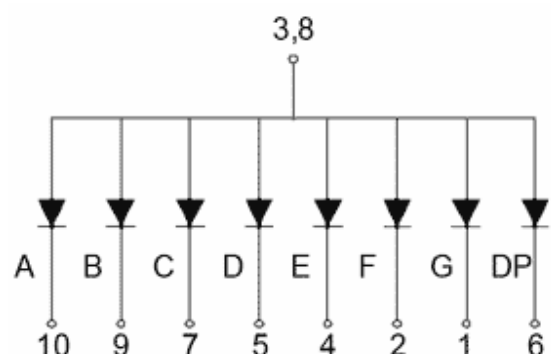
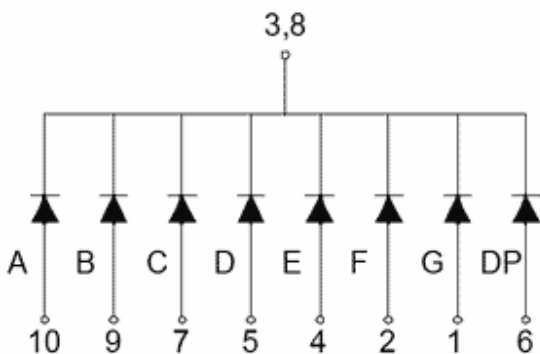
| | | | |
|----------------|-------|-------------------|--------------|
| Digit height | 0.39" | Epoxy color | Milky |
| Digit quantity | One | Pin configuration | Common anode |
| Surface color | Gray | Emitting color | Yellow green |

Package dimension& Internal circuit diagram



Cathode (A):

Anode (B):



Notes:

1. All dimensions are in millimeters (inches).
2. Tolerance is 0.25(0.01) unless otherwise noted.
3. Specifications are subject to change without notice.

ABSOLUTE MAXIMUM RATINGS PER CHIP (Ta=25°C)

| ITEM | Amber | Super green | Super red | High red | Yellow green | Yellow | Blue | Pure green | White | UNIT |
|----------------------------------|-----------------|-------------|-----------|----------|--------------|--------|------|------------|-------|------|
| Power Dissipation (Pd) | 52 | 50 | 40 | 36 | 44 | 42 | 66 | 66 | 66 | mW |
| Peak Forward Current (Ifp) | 100 | 100 | 100 | 100 | 100 | 100 | 100 | 100 | 100 | mA |
| Continuous Forward Current (If) | 20 | 20 | 20 | 20 | 20 | 20 | 20 | 20 | 20 | mA |
| Reverse Voltage (Vr) | 5 | 5 | 5 | 5 | 5 | 5 | 5 | 5 | 5 | V |
| Reverse Current (Ir) | 20 | 20 | 20 | 20 | 20 | 20 | 20 | 20 | 20 | Ua |
| Operating Temperature Range (Ta) | -35~+85 | | | | | | | | | °C |
| Storage Temperature Range (Tstg) | -35~+85 | | | | | | | | | °C |
| Lead Solder Temperature | 260°C for 3 sec | | | | | | | | | |

Color Code & Chip characteristic PER CHIP: (Test Condition: IF=20Ma)

| Emitting Color | Peak Wavelength | | Forward Voltage IF=20Ma (V) | | Luminous Intensity IF=20Ma (mcd) |
|----------------|-----------------|----|-----------------------------|-----|----------------------------------|
| | (λp) | Δλ | Typ | Max | Max |
| Amber | 605-615 | 30 | 2.1 | 2.5 | 30 |
| Super green | 565-570 | 30 | 2.2 | 2.6 | 50 |
| Ultra red | 625-640 | 25 | 2.1 | 2.5 | 190 |
| Super red | 625-640 | 20 | 2.1 | 2.5 | 50 |
| High red | 640-660 | 20 | 2.1 | 2.5 | 20 |
| Yellow green | 570-575 | 30 | 2.2 | 2.6 | 15 |
| Yellow | 590-600 | 35 | 2.1 | 2.5 | 60 |
| Blue | 465-475 | 40 | 3.3 | 4.0 | 50 |
| Pure green | 515-525 | 40 | 3.3 | 4.0 | 200 |
| White | | | 3.3 | 4.0 | 180 |