

1. Case Outline : 24-pin (See attached case outline dimensions)
2. Function : Current Amplify
3. Application : Video Projector Use
4. Features : 3-Channels /1 Package for Convergence
5. Maximum Ratings at Ta=25°C

Item	Symbol	Condition	Rated level	Unit
Maximum supply voltage	VCC		±38	V
Maximum Collector current	IC	TR 7, 9, 18, 20, 27, 29	5.0	
Thermal resistance	θ_{j-c}	POWER TR (Per element)	3.0	°C/W
Junction temperature	Tj		150	°C
Operating case temperature	Tc		105	°C
Storage temperature	Tstg		-30 to +105	°C

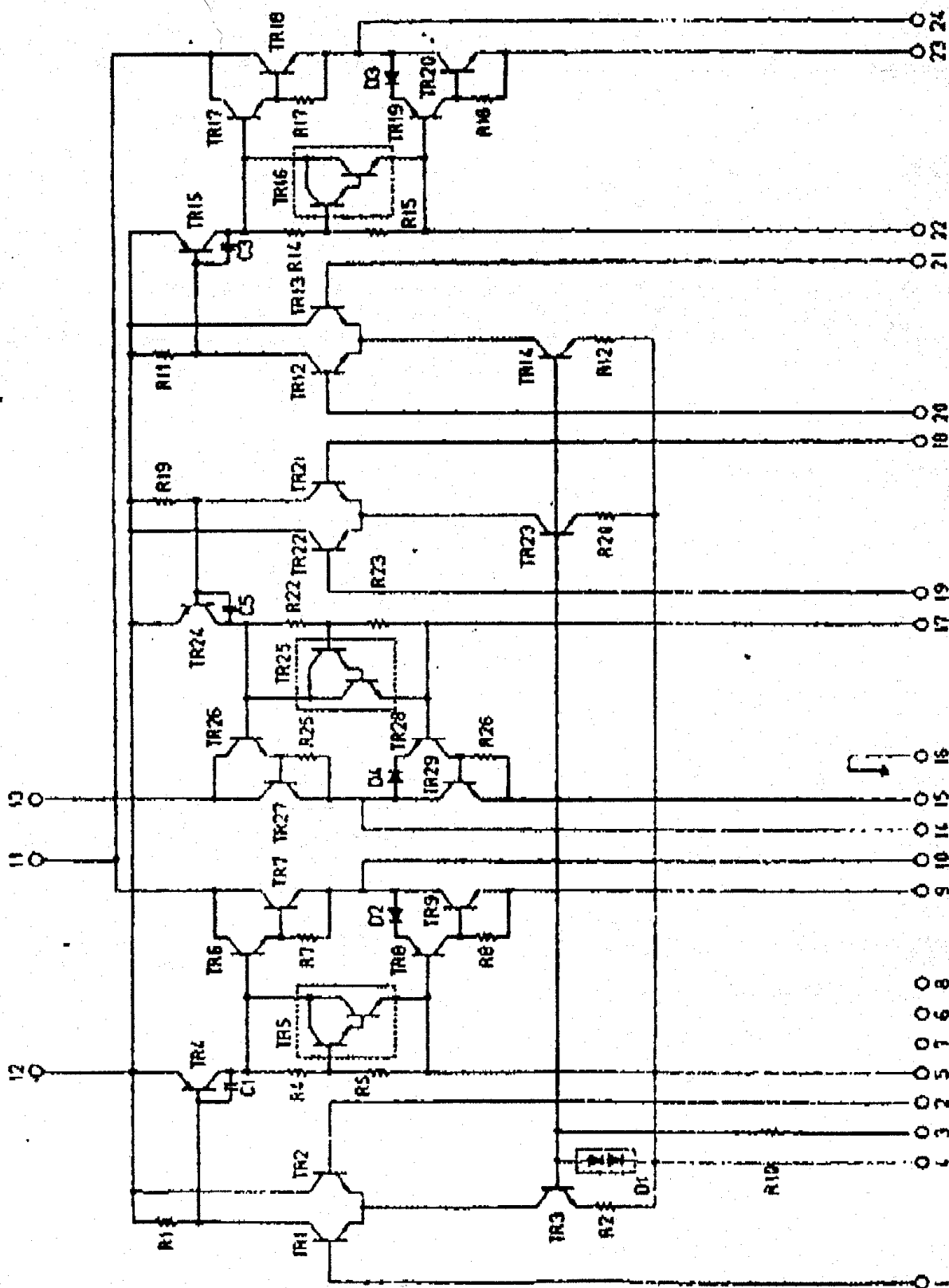
6. Operating Characteristics at Ta=25°C, Rg=50Ω

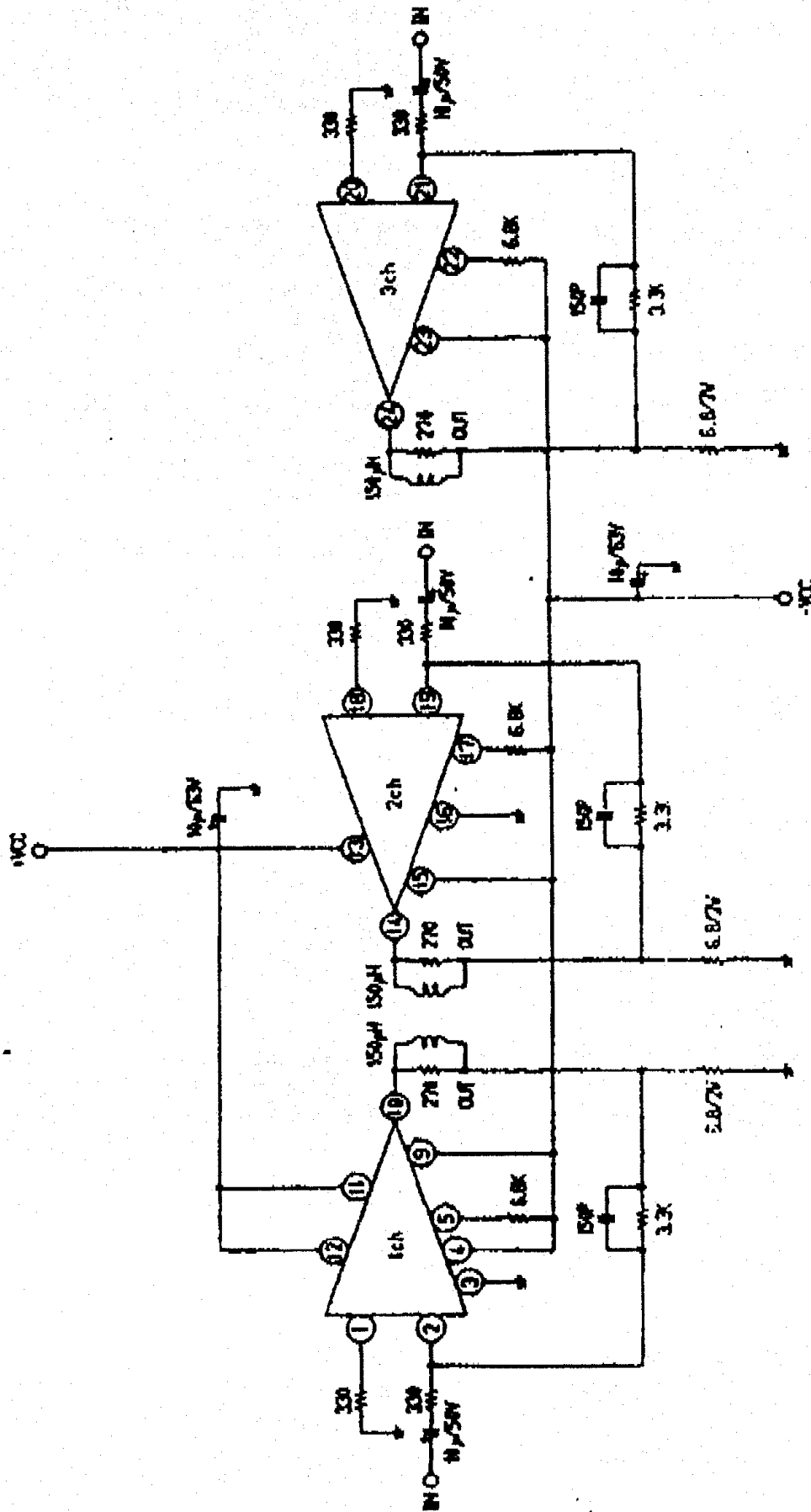
Item	Symbol	Test condition			Rated level			Unit
		VCC(V)	f(Hz)		min	typ	max	
Output noise voltage	VNO	±24					0.2	mVrms
Quiescent current	Icc0	±24				45		mA
Middle-point voltage	VN	±24			19.3	0	+50	mV
Voltage gain difference	VG	±24	1k	Sin wave input Vin=80mVp-p		20	20.7	dB
Frequency characteristic	fH	±24		-3dB(0dB:1kHz) Sin wave input Vin=80mVp-p		300k		Hz
Output delay time	tD	±24	15.75	Triangle wave input VOUT=1.5V		0.6	1.0	μsec

Remarks :

- For power supply at the time of test, use a constant-voltage power supply unless otherwise specified.
- The output noise voltage is represented by the peak value on rms scale (VTVM) of average value indicating type.

Internal Equivalent Circuit



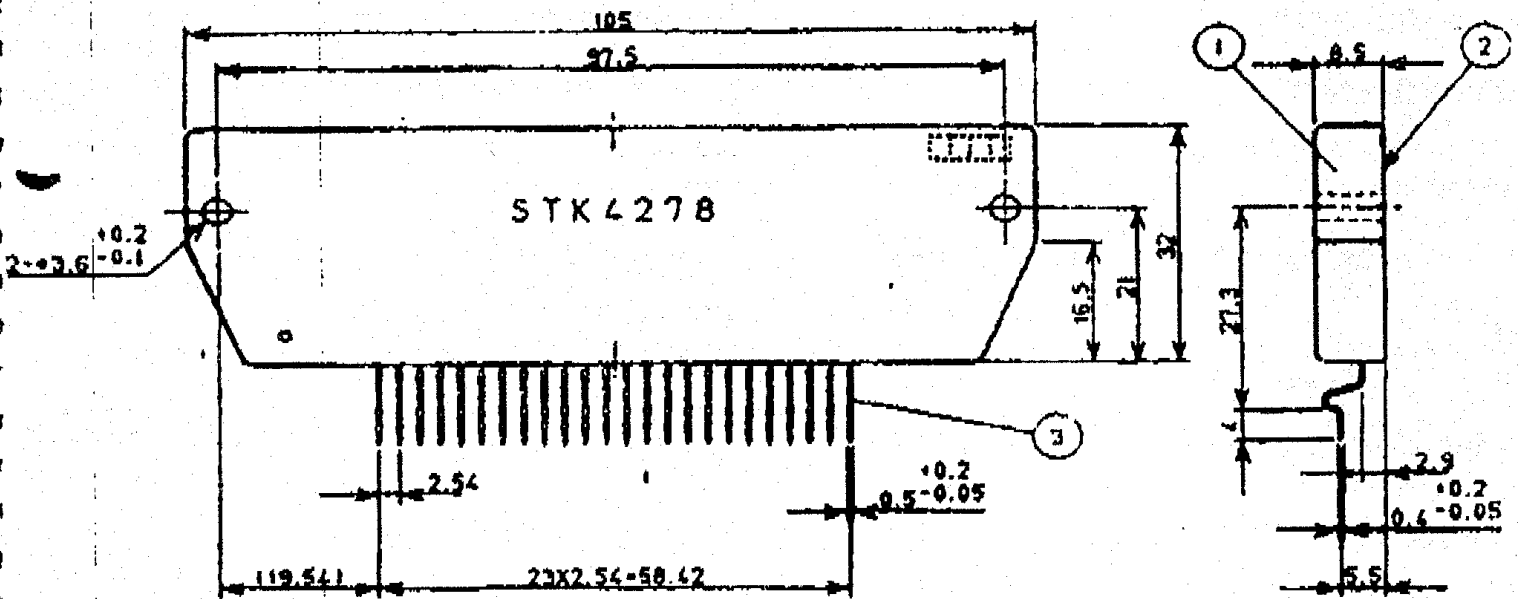


A1-0209-1-4/12

Case Outline Dimensions

04
STK4278

Scale: 1:1
Unit: mm



Mark ① indicates pin 1 side (1.5mm dent).

Do Not Scale this Drawing

General Dimensional Deviations Within ±0.5

	Material	Surface treatment
①	FR-PET	
②	MST board	Alumite
③	SPCC-SB	Base: Cu plating Soldered and plated