

POWER FERRITE TRANSFORMERS

1-6W E16-SINGLE OUTPUT FLYBACK TRANSFORMERS

T 74001, 74002 SERIES

FEATURES:

- Primary / Secondary Insulation \geq 4000V
- Primary Auxiliary Insulation \geq 1500V
- Creepage distances Primary / secondary \geq 6mm

OPTIONS:

- Bulk packaging is standard
- Custom design available

COMMON APPLICATIONS:

- AC-DC converters
- DC-DC converters
- Switch Power supplies
- SMPS: Flyback, Forward and Push-pull
- SMPS: Half Bridge and Full Bridge

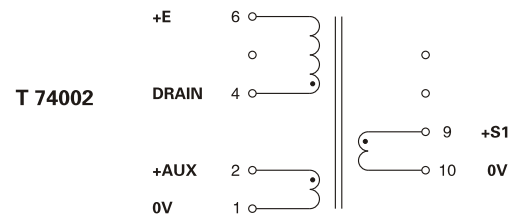
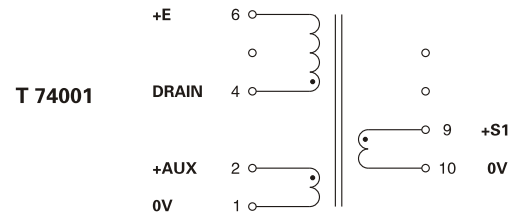
ELECTRICAL CHARACTERISTICS

Control IC Manufacturer	Control IC P/N	Input voltage	Power	Frequency
Infineon	TDA16831	185 – 265 Vrms	6 w	100 kHz
Motorola	MC33369	85 – 265 Vrms	6 w	100 kHz
Power Integrations	TOP242P	85 – 265 Vrms	6 w	132 kHz
ST Microelectronics	VIPer20	85 – 265 Vrms	6 w	70 kHz
ST Microelectronics	VIPer20	85 – 265 Vrms	3 w	40 kHz

TECHNICAL INFORMATION

- Ambient temperature $<$ 60°C
- Construction conforms to CEI950, CEI335, CEI61558 for reinforced insulation
- Exclusively uses UL94-VO listed materials

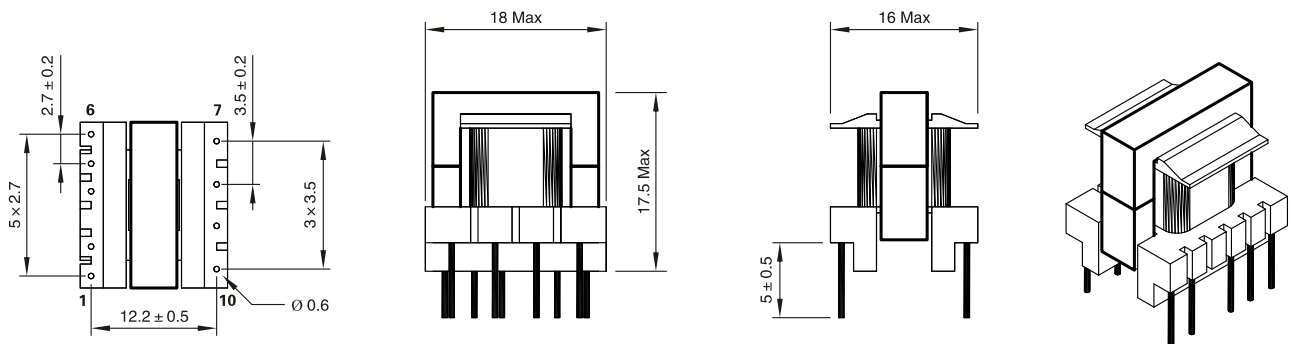
SIZE E16 – SINGLE OUTPUT : 5 or 12V – FLYBACK TRANSFORMER						
Part Number	Output Power max	Windings				
		Pins	Turns	Voltage	Current max	Inductance (+/-10%)
T 74001	6w	Pri 4-6	138	60 – 120 (VOR)	0.35 Apeak	3000 μ H
		Aux 2-1	16	8 – 16 Vdc	0.1 Adc	
		S1 9-10	8	3 – 6 Vdc	1.2 Adc	
T 74002	6w	Pri 4-6	150	60 – 120 (VOR)	0.38 Apeak	3000 μ H
		Aux 2-1	22	8.5 – 17 Vdc	0.1 Adc	
		S1 9-10	24	9 – 18 Vdc	0.5 Adc	



Note: Regulation with auxiliary winding

Note: PIN 3 Removed, PCB Drilling Diameter = 1.1mm

PHYSICAL CHARACTERISTICS



All dimensions in mm